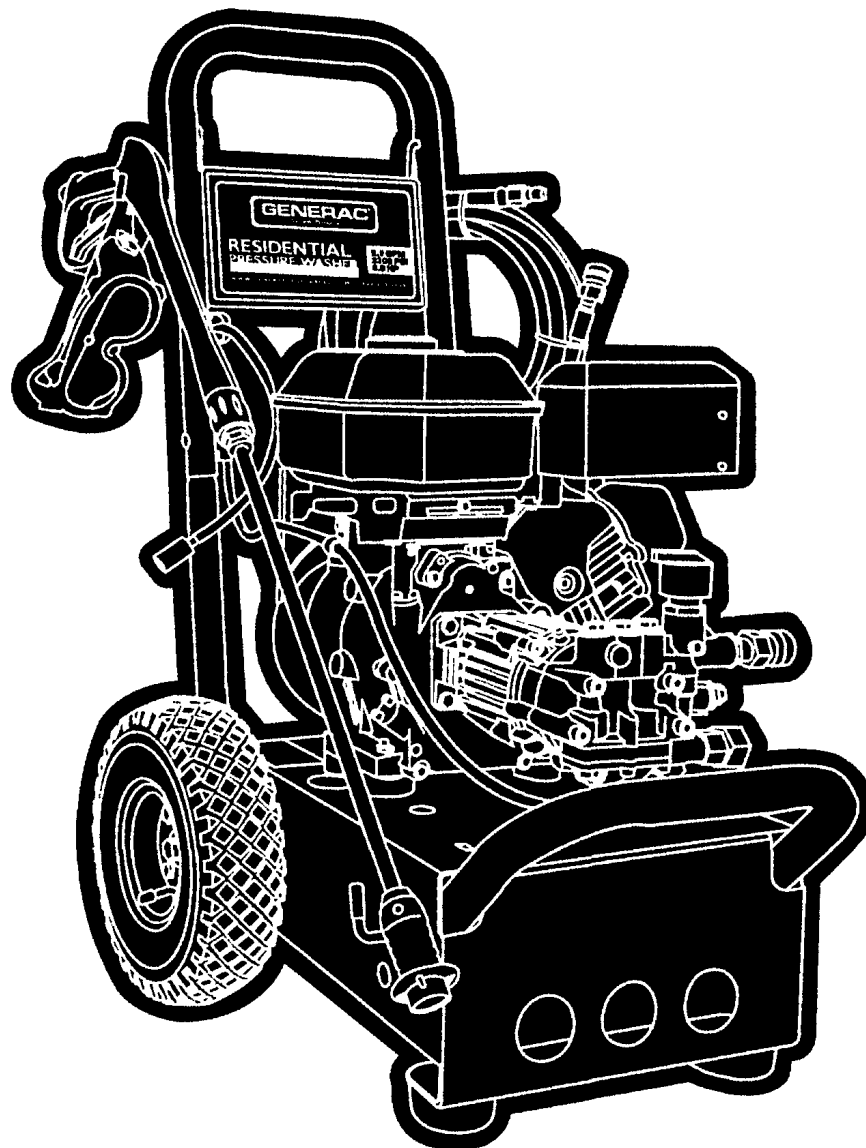


# Parts Manual

Mfg. No: 1292-3  
2,300 PSI





---

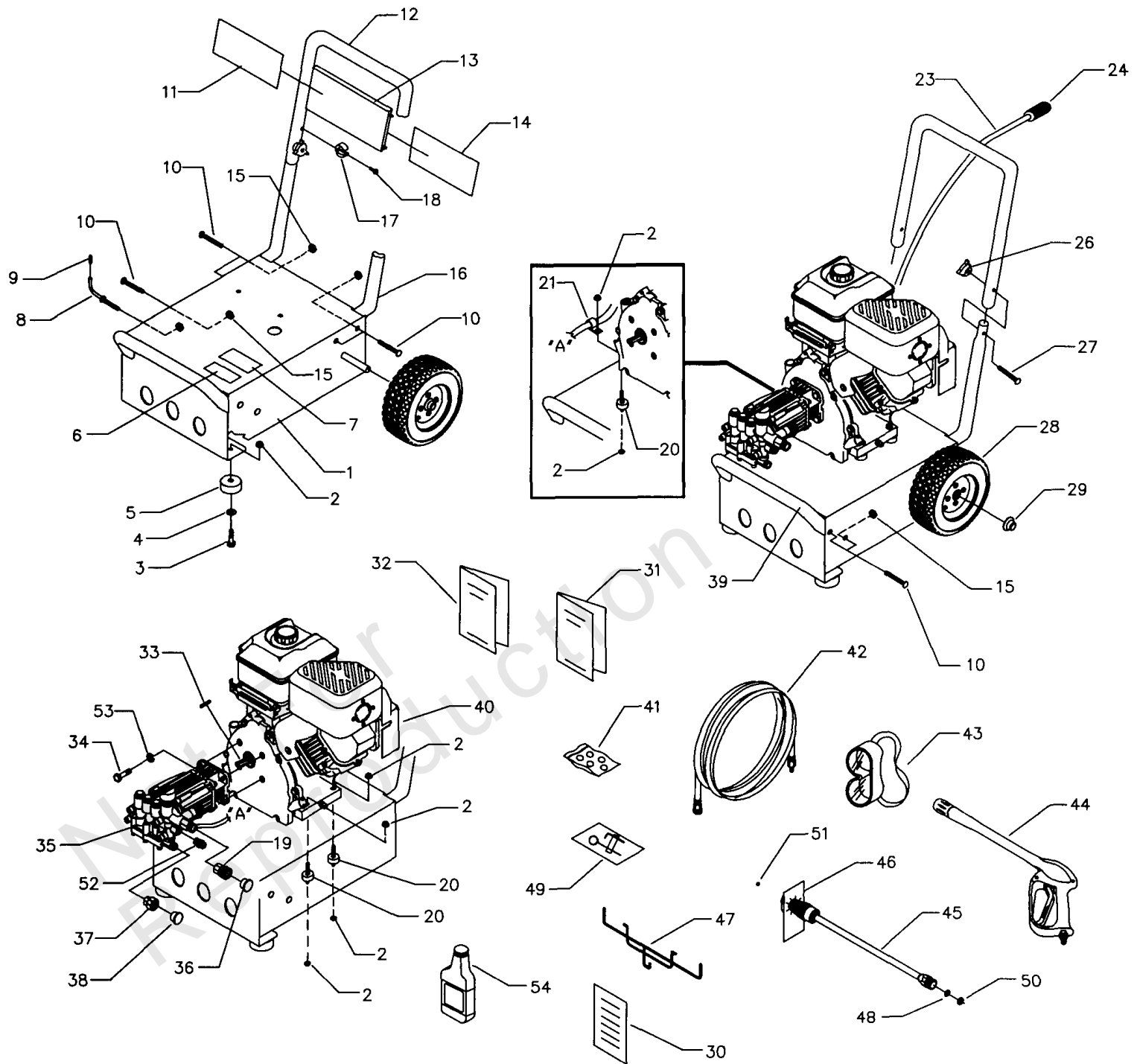
<b>Model Components</b>	<b>Page</b>
Main Unit.....	4
Pump.....	8
Torque Specification Chart.....	12

Not For  
Reproduction

# Main Unit

Note: Unless noted otherwise, use the standard torque specifications

Mfg. No: 1292-3



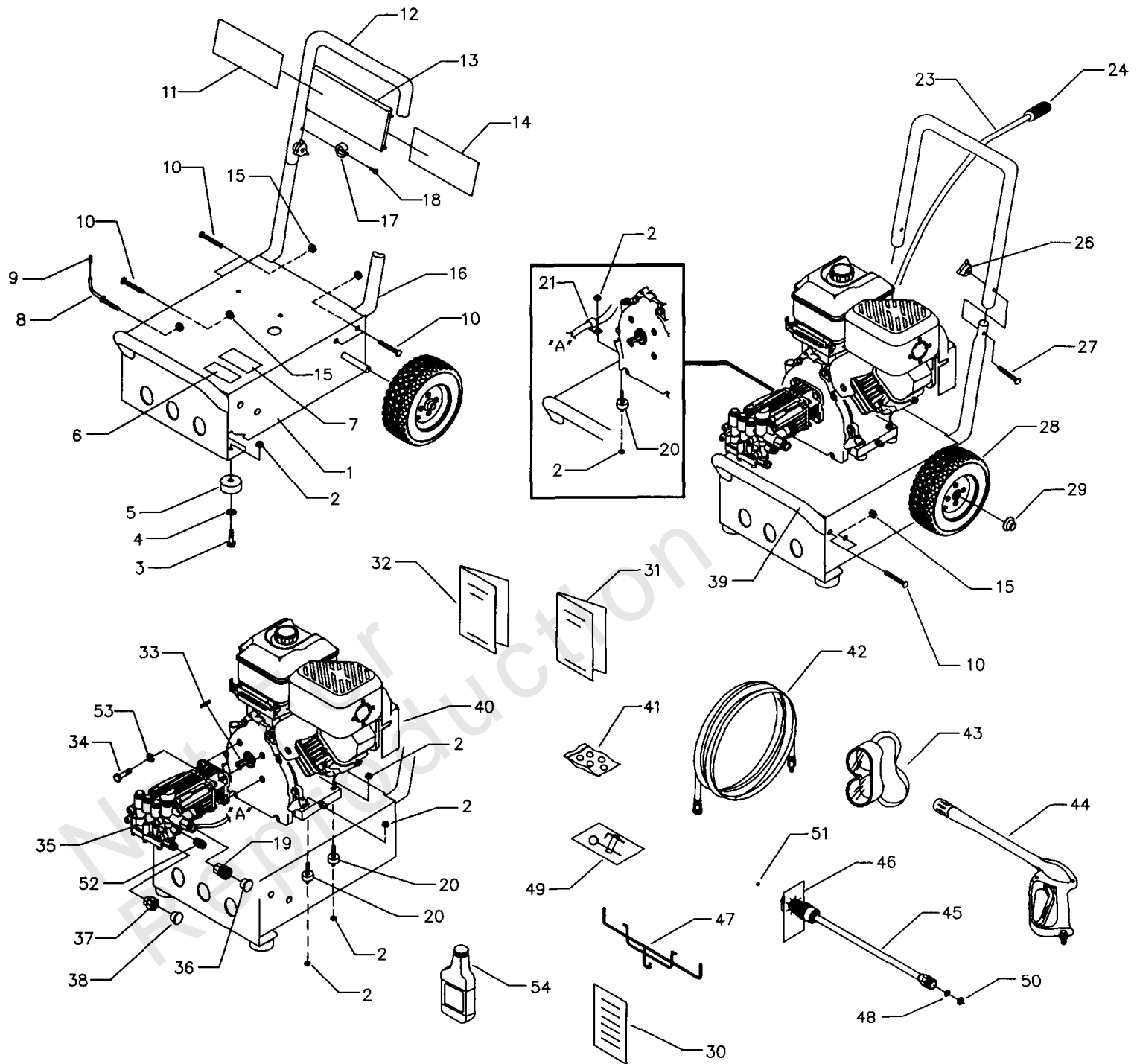
## Main Unit

REF NO	PART NO	QTY	DESCRIPTION
1	A186221	1	BASE
2	67989	10	NUT, M8 Flange Serr.
3	42909	2	HHCS, M8 1.25 x 30
4	50190	2	WASHER, Flat .34" x 1"
5	27007	2	MOUNT, Donut Type Vibration
6	20566	1	DECAL, Generac #1-800
7	B4099	1	DECAL, IMP Purge Air
8	B2150	1	HOOK, Gun
9	B2516	1	CAP, Vinyl (black)
10	B2043	7	BOLT, 5/16"-18 x 1-3/4" Carriage
11	B5713	1	DECAL, Logo
12	B1983	1	HANDLE
13	B1631A	1	BILLBOARD, Plastic
14	B1932	1	DECAL, Instructions
15	99583	8	NUT, Flange Lock 5/16"-18
16	B1981	2	SUPPORT, Handle
17	65852A	1	SPRING CLIP, Holder
18	185954	1	SCREW, Self Tap #8 - 18 x 1/2"
19	95458	1	QUICK CONNECT
20	21217	4	MOUNT, Rubber Shock
21	B1232	1	CLAMP, Hose 7/16" Dia.
23	A1040D	1	HOSE, 4-1/2' Chemical Clear
24	A1041	1	FILTER, Chemical Hose
26	97178	2	KNOB, Handle 1/4" - 20 PW
27	31669	2	BOLT, 1/4" - 20 x 1-3/4" Carriage
28	186212	2	Tire, 10"
29	75402C	2	PUSHNUT, 5/8" Dia.
30	B4095	1	SHEET, Info.
31	B3297	1	MANUAL, Engine
32	186251	1	MANUAL
33	23139B	1	KEY, 3/16" sq. x 1-1/2"
34	95531	4	SHCS, 5/16" - 24 x 3/4"
35	B3699A	1	ASSEMBLY, Pump
36	B4757	1	CAP, Inlet Quick Connect
37	89647A	1	CONNECTOR, Garden Hose
38	97098	1	CAP, Garden Hose Inlet
39	B1982	1	BUMPER
40	~NSP	1	ENGINE
41	B5830	1	KIT, "O" Ring
42	B5694	1	HOSE, High Pressure
43	87815	1	GOGGLES, Safety
44	B3263A	1	GUN, High Pressure
45	B3335C	1	LANCE, Nozzle Hi/Lo
46	97566	1	TAG, Nozzle Instructions
47	B2168A	1	HANGER, Hose, Gun, Jug
48	B4224	1	SCREEN, Gun Inlet
49	B2163	1	KIT, Nozzle Cleaning
50	97837	1	O-RING, Hi Pressure
51	92661	1	NOZZLE, 1.20 Blue Replacement
52	B3213	1	VALVE, Thermal Relief
53	92479	4	LOCKWASHER, Ribbed

# Main Unit

Note: Unless noted otherwise, use the standard torque specifications

Mfg. No: 1292-3



**Main Unit**

---

REF NO	PART NO	QTY	DESCRIPTION
54	~NSP	1	OIL

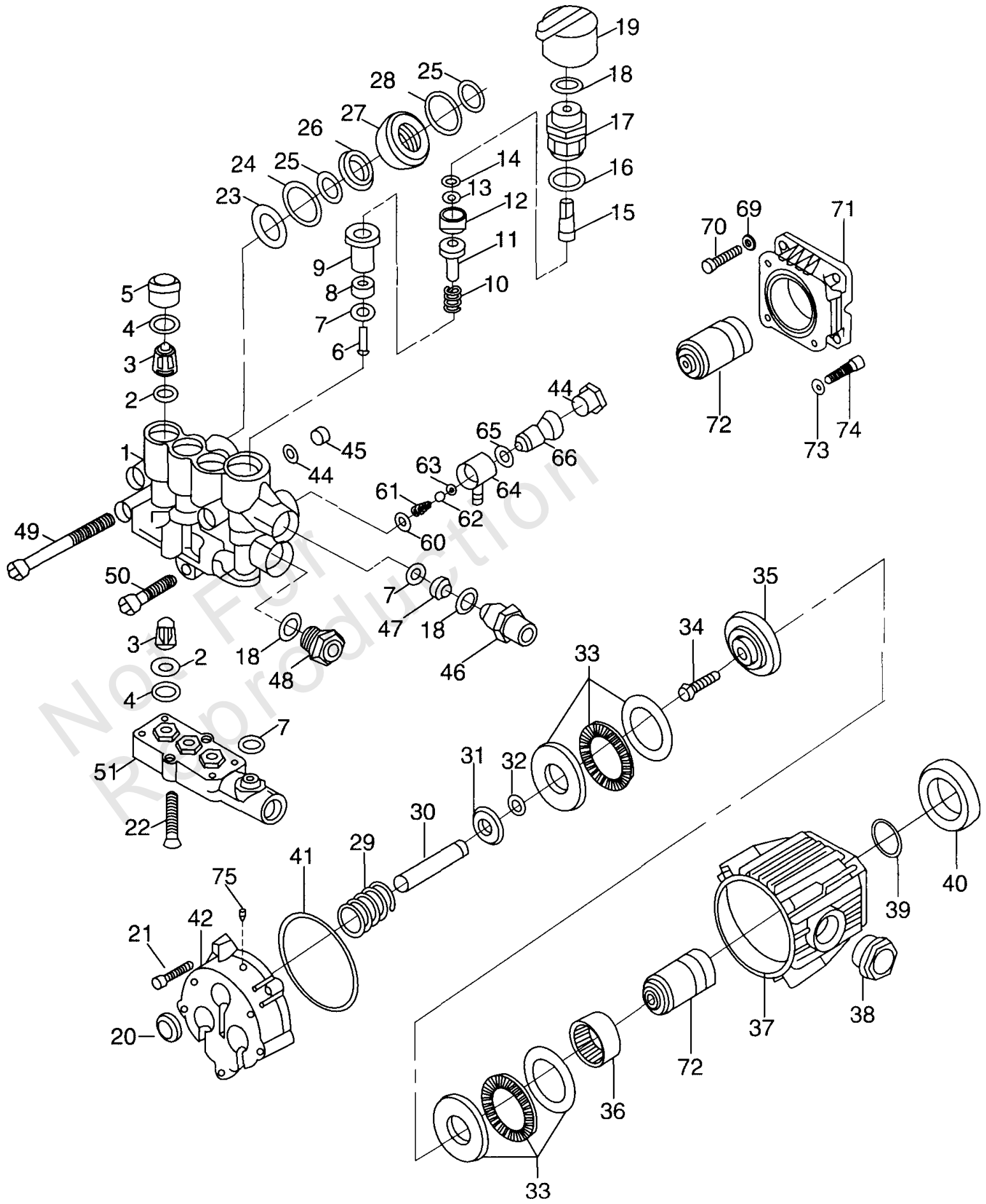
---

Not For Reproduction

# Pump

Note: Unless noted otherwise, use the standard torque specifications

Mfg. No: 1292-3





## Pump

REF NO	PART NO	QTY	DESCRIPTION
1	100B3699	1	MANIFOLD
2	165B3169	6	O-RING 12.42 X 1.78
3	102B3699	6	VALVE UNIT
4	103B3699	6	ORING 5.60 X 1.78
5	104B3699	3	VALVE CAP
6	105B3699	1	UNLOADER VALVE SCREW
7	106B3699	3	O-RING 9.92 X 2.62
8	107B3699	1	VALVE SEAT
9	108B3699	1	SPACER
10	109B3699	1	SPRING
11	110B3699	1	UNLOADER PISTON
12	187292	2	SEAL
13	112B3699	1	ORING
14	113B3699	1	ANTI-EXTRUSION RING
15	114B3699	1	UNLOADER STEM
16	10892293P	1	O-RING
17	116B3699	1	GUIDE
18	10292293P	3	O-RING
19	118B3699	1	REGULATIONG KNOB
20	119B3699	3	OIL SEAL
21	120B3699	4	SCREW, M6 X 30
22	12692294P	6	SCREW, M6 X 30
23	122B3699	3	HEAD RING
24	123B3699	3	O-RING
25	120B3169	6	O-RING
26	125B3699	3	PACKING
27	126B3699	3	RETAINER 15MM
28	119B3169	3	O-RING
29	128B3699	3	SPRING 33 X 56
30	129B3699	3	PISTON ASSEMBLY
31	130B3699	3	SPRING PLATE
32	131B3699	3	SPRING PLATER RETAINER
33	132B3699	2	ROLLER BEARING
34	148B3169	1	SCREW,M8 X 28
35	134B3699	1	WOBBLE PLATE
36	135B3699	1	BEARING BUSHING
37	136B3699	1	CRANKCASE
38	100B3699A	1	BRASS PLUG W/O-RING
39	138B3699	1	SNAP RING
40	139B3699	1	OIL SEAL
41	12092293P	1	O-RING
42	141B3699	1	PISTON GUIDE
43	142B3699	1	PLUG, M14 X 1.5 X 9MM
44	143B3699	1	PLUG, 10MM
45	144B3699	1	O-RING
46	100B3169A	1	NIPPLE, 3/8 NPT
47	146B3699	1	ORFICE, 1.8MM
48	147B3699	1	PLUG, 3/8"
49	148B3699	4	SCREW,M8 X 70
50	149B3699	1	SCREW, M8 X 25
51	150B3699	1	INLET MANIFOLD



## Pump

REF NO	PART NO	QTY	DESCRIPTION
60	177B3169	1	O-RING
61	178B3169	1	SPRING, CONICAL
62	179B3169	1	BALL, 7/32"
63	11492293P	1	O-RING
64	197B3169	1	HOSE BARB
65	112B3169	1	O-RING
66	157B3699	1	INSPECTOR HOUSING
69	12792293P	4	WASHER
70	159B3699	4	SCREW
71	160B3699	1	GAS MOUNTING FLANGE
72	161B3699	1	CRANKSHAFT
73	10692293P	4	WASHER
74	12692293P	4	SCREW
75	164B3699	1	VENT PLUG
	201B3699	1	HIGH PRESSURE SEAL REPAIR KIT -ITEMS 23 - 28. ASSY'S IN KIT 1.
	202B3699	1	CHECK VALVE C/O-RING REPAIR KIT -ITEMS 4 & 5. ASSY'S IN KIT 4.
	203B3699	1	CHECK VALVE C/O-RING REPAIR KIT -ITEMS 2 & 3. ASSY'S IN KIT 6.
	204B3699	1	OIL SEAL REPAIR KIT -ITEM 20 INCLUDED. ASSY'S IN KIT 3.
	187293	1	UNLOADER -ITEMS 7 - 18. ASSY'S IN KIT 1.

# Hardware Identification & Torque Specifications

Torque Specification Chart								
FOR STANDARD METRIC MACHINE HARDWARE (Tolerance ± 20%)								
Property Class	5.6		8.8		10.9		12.9	
	Class 5.6		Class 8.8		Class 10.9		Class 12.9	
Size Of Hardware	in/lbs	Nm.	in/lbs	Nm.	in/lbs	Nm.	in/lbs	Nm.
	ft/lbs		ft/lbs		ft/lbs		ft/lbs	
M3	5.88	.56	13.44	1.28	19.2	1.80	22.92	2.15
M4	13.44	1.28	30.72	2.90	43.44	4.10	52.56	4.95
M5	26.4	2.50	60.96	5.75	5.97	8.10	7.15	9.7
M6	44.64	4.3	7.3	9.9	10.3	14	12.1	16.5
M7	5.2	7.1	12.1	16.5	16.9	23	19.9	27
M8	7.7	10.5	17.7	24	25	34	29	40
M10	15	21	35	48	50	67	59	81
M12	26	36	61	83	86.2	117	103	140
M14	42	58	101	132	136	185	162	220
M16	64	88	147	200	210	285	250	340
M18	89	121	202	275	287	390	346	470
M20	126	171	290	390	405	550	486	660
M22	169	230	390	530	559	745	656	890
M24	217	295	497	375	708	960	840	1140
M27	320	435	733	995	1032	1400	1239	1680
M30	435	590	995	1350	1401	1900	1681	2280
M33	590	800	1349	1830	1902	2580	2278	3090
M36	759	1030	1740	2360	2441	3310	2935	3980
M39	988	1340	2249	3050	3163	4290	3798	5150

Torque Specification Chart						
FOR STANDARD MACHINE HARDWARE (Tolerance ± 20%)						
Hardware Grade	No Marks		SAE Grade 5		SAE Grade 8	
	SAE Grade 2		SAE Grade 5		SAE Grade 8	
Size Of Hardware	in/lbs	Nm.	in/lbs	Nm.	in/lbs	Nm.
	ft/lbs		ft/lbs		ft/lbs	
8-32	19	2.1	30	3.4	41	4.6
8-36	20	2.3	31	3.5	43	4.9
10-24	27	3.1	43	4.9	60	6.8
10-32	31	3.5	49	5.5	68	7.7
1/4-20	66	7.6	8	10.9	12	16.3
1/4-28	76	8.6	10	13.6	14	19.0
5/16-18	11	15.0	17	23.1	25	34.0
5/16-24	12	16.3	19	25.8	29	34.0
3/8-16	20	27.2	30	40.8	45	61.2
3/8-24	23	31.3	35	47.6	50	68.0
7/16-14	30	40.8	50	68.0	70	95.2
7/16-20	35	47.6	55	74.8	80	108.8
1/2-13	50	68.0	75	102.0	110	149.6
1/2-20	55	74.8	90	122.4	120	163.2
9/16-12	65	88.4	110	149.6	150	204.0
9/16-18	75	102.0	120	163.2	170	231.2
5/8-11	90	122.4	150	204.0	220	299.2
5/8-18	100	136	180	244.8	240	326.4
3/4-10	160	217.6	260	353.6	386	525.0
3/4-16	180	244.8	300	408.0	420	571.2
7/8-9	140	190.4	400	544.0	600	816.0
7/8-14	155	210.8	440	598.4	660	897.6
1-8	220	299.2	580	788.8	900	1,244.0
1-12	240	326.4	640	870.4	1,000	1,360.0

The guides and ruler furnished below are designed to help you select the appropriate hardware.

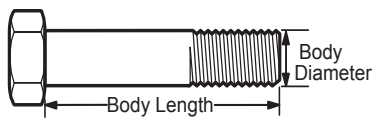


Nut, M8

Thread Diameter (mm)

Inside Diameter (in)      Threads per inch

Nut, 1/2-16



Screw, M8- 1.25 x 25

Thread Diameter (mm)      Distance between threads (mm)      Body Length (mm)

Body Diameter      Threads per inch      Body Length (in)

Screw, 1/2- 16 x 2



## Standard Hardware Sizing

When a washer or nut is identified as 1/2" (M8), this is the *Nominal size*, meaning the *inside diameter* is 1/2 inch (8mm metric thread diameter); if a second number is present it represents the *threads per inch* (distance between threads).

When bolt or capscrew is identified as 1/2 - 16 x 2" (M8 - 1.25 x 50), this means the *Nominal size*, or body diameter is 1/2 inch (8mm metric thread diameter), the second number, 16, represents the *threads per inch*, (*distance between threads*). The final number is the body length of the bolt or screw, 2 inches (50mm).

## NOTES

- These torque values are to be used for all hardware excluding: locknuts, self-tapping screws, thread forming screws, sheet metal screws and socket head setscrews.
- Recommended seating torque values for locknuts:
  - for prevailing torque locknuts - use 65% of grade 5 torques.
  - for flange whizlock nuts and screws - use 135% of grade 5 torques.
- Unless otherwise noted on assembly drawings, all torque values must meet this specification.

## Common Hardware Types

Hex Head Capscrew



Washer



Carriage Bolt



Hex Nut

## Wrench & Fastener Size Guide

1/4" Bolt or Nut Wrench—7/16"	5/16" Bolt or Nut Wrench—1/2"	3/8" Bolt or Nut Wrench—9/16"	7/16" Bolt or Nut Wrench (Bolt)—5/8" Wrench (Nut)—11/16"	1/2" Bolt or Nut Wrench—3/4"
M6 Bolt or Nut Wrench—10mm	M8 Bolt or Nut Wrench—13mm	M10 Bolt or Nut Wrench—17mm	M12 Bolt or Nut Wrench—19mm	M14 Bolt or Nut Wrench—22mm

